



科迅安电气  
KE XUN AN DIAN QI

# 35kv

## 华式箱变

35KV PV Pad mounted  
Transformer



# 35kv华式箱变

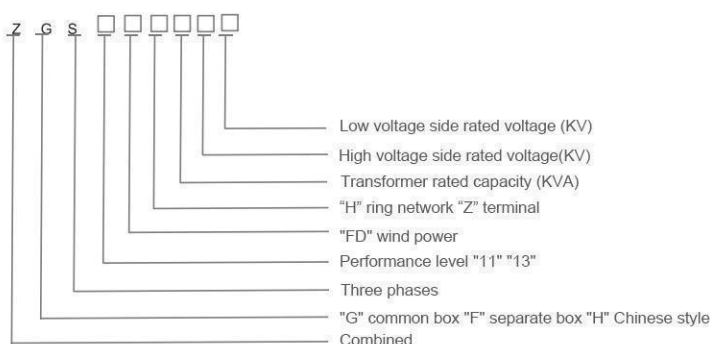
35KV PV pad mounted transformer



## 概述 Overview

The 35KV PV pad mounted transformer is a combination transformer for wind power or photovoltaic power generation that integrates a step-up transformer, high-voltage fuse, load switch, low-voltage switch cabinet and corresponding auxiliary equipment. The capacity range is 500~6800KVA, and the voltage level It is 35kv and below, suitable for various onshore, pond and offshore photovoltaic and wind farms.

## 型号含义 Model meaning



## 技术参数 Technical Parameters

Project		Unit	Parameter				
Type			FYB-12(manual/electric)		FYB-24(manual/electric)	FYB-40.5 (manual/electric)	
Rated Voltage		KV	12		24		40.5
1min Power frequency withstand voltage	Between each other, against the ground	KV	42		70		95
	Isolate fracture		48		80		110
Lightning impulse withstand current	Between each other, against the ground	KV	75		170		200
	Isolate fracture		85		195		215
Rated Current		A	315	630	400	315	630
Rated short circuit withstand current/2s		KA	12.5	20	16	12.5	20
Rated peak withstand current		KA	31.5	50	40	31.5	50
Making current		KA	31.5	20	40	31.5	50
100% load operation times		Times	30		30	30	
Mechanical life		Times	10000		1000	10000	